

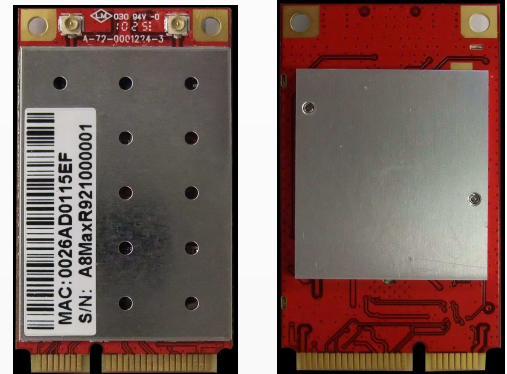
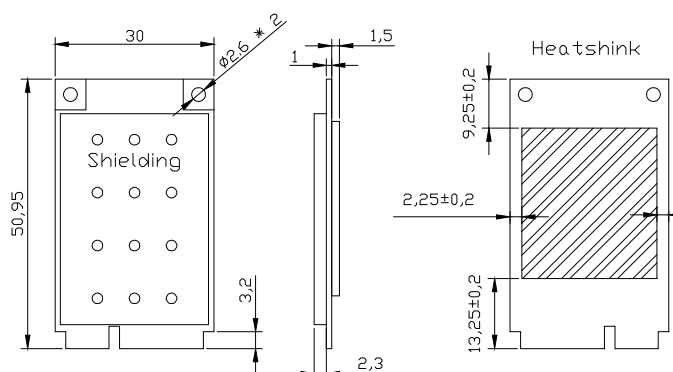
MaxR-921

IEEE 802.11 b/g/n, 250 mW, 1x1

High Power PCI Express Mini Card

This 250 mW High Power IEEE 802.11 b/g/n 1x1(1 Stream) Wireless PCI Express Mini Card is built with proprietary power MMICs and industrial-grade components. It is designed for reliable and demanding outdoor, enterprise, and carrier- class applications. The PCI Express Mini Card interface integrates easily with notebook computer to construct single or multiple-radio access points, wireless bridges, and consumer premises client equipment.

Outline Drawing: (in mm)



Product Highlights:

- Atheros, 9th Generation AR9285 Chipset
- 150 Mbps Data Rate Support
- HT40, Half Guard Interval in HT40, Rx STBC Support
- Extended tuning range 2.400 GHz to 2.500 GHz Support
- 20/40 MHz Channel Bandwidth Support
- 250 mW Output Power
- Industry Best Sensitivity
- Industrial Temperature Range (0°C to +85°C)
- Hardware Encryption (AES-CCMP, TKIP, WEP)
- Wireless Multimedia Quality of Service support (QoS)
- RoHS Compliant
- U.FL Antenna Connector

Technical Specifications

Product Information			
Chipset	Atheros, 9 th Generation, AR9285 chipset		
Radio Operation	IEEE 802.11 b/g/n (1x1 , 1 Stream)		
Frequency Range	2.400 GHz to 2.500 GHz		
Channel Bandwidth	20MHz / 40MHz		
Interface	32-bit Mini PCI, type III A		
Dimension	50.95 x 30.00 x 4.80 mm (including heat sink)		
Operation Voltage	DC 3.3 V +/- 0.1 V		
Antenna Interface	U.FL x 2 (1x1, 1 Stream)		
Temperature Range	0°C to +85°C		
Security	WPA, WPA2, AES-CCM & TKIP Encryption, 802.1x, 64/128/152 bit WEP		
Data Rates	1 Mbps, 2 Mbps, 5.5 Mbps, 11 Mbps (11b) 6Mbps, 9Mbps, 12Mbps, 24Mbps, 36Mbps, 48Mbps, 54Mbps (11g) MCS0 – MCS7 (11n)		
RoHS Compliance	Yes		
Output Power & Sensitivity			
	Data Rate	Tx (RMS) +/- 2dB	Rx +/- 2dB
802.11b	1Mbps	24 dBm 1100mA ±150 mA	-96 dBm 300mA ± 50 mA
	11Mbps	24 dBm 1100mA ±150 mA	-90 dBm 300mA ± 50 mA
802.11g	6-24Mbps	24 dBm 1100mA ±150 mA	-92 dBm 300mA ± 50 mA
	36Mbps	22 dBm 1100mA ±150 mA	-84 dBm 300mA ± 50 mA
	48Mbps	21 dBm 1100mA ±150 mA	-80 dBm 300mA ± 50 mA
	54Mbps	20 dBm 1100mA ±150 mA	-77 dBm 300mA ± 50 mA
	HT20(2.4 GHz)	MCS0	24 dBm 1100mA ±150 mA
	MCS7	19 dBm 1100mA ±150 mA	-73 dBm 300mA ± 50 mA
HT40(2.4 GHz)	MCS0	24 dBm 1100mA ±150 mA	-88 dBm 300mA ± 50 mA
	MCS7	19 dBm 1100mA ±150 mA	-70 dBm 300mA ± 50 mA